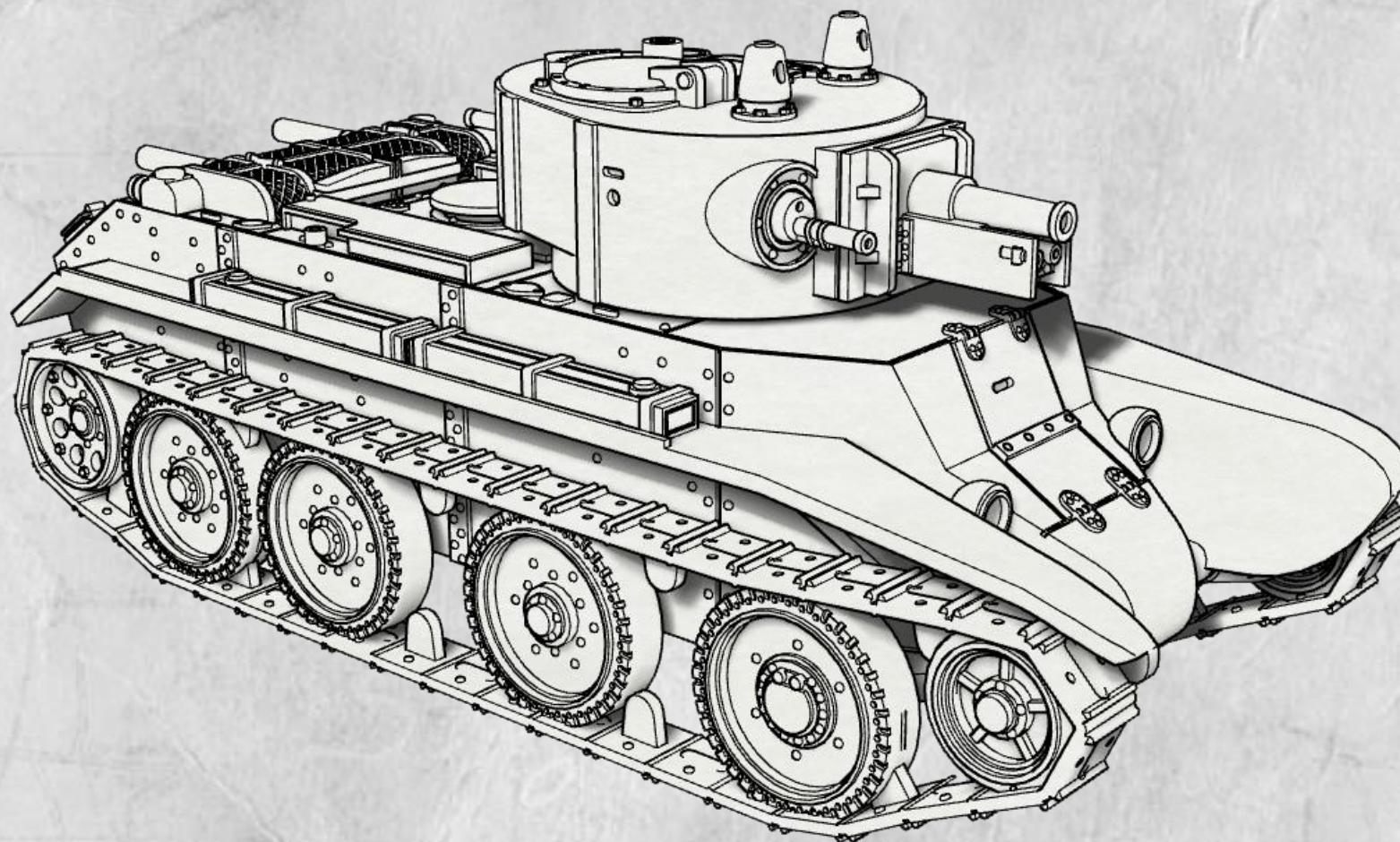
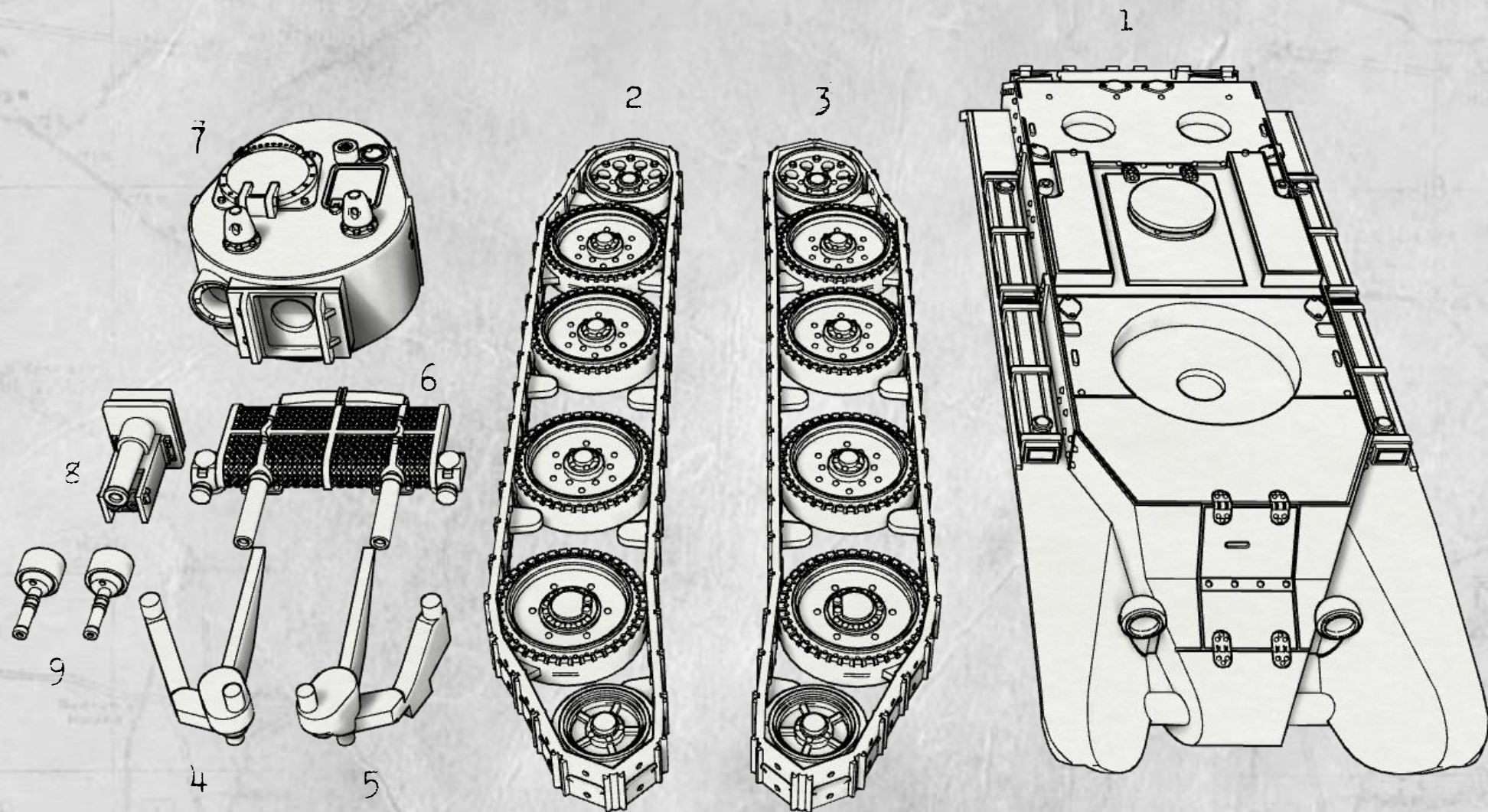


BT-7a Assembly Instructions



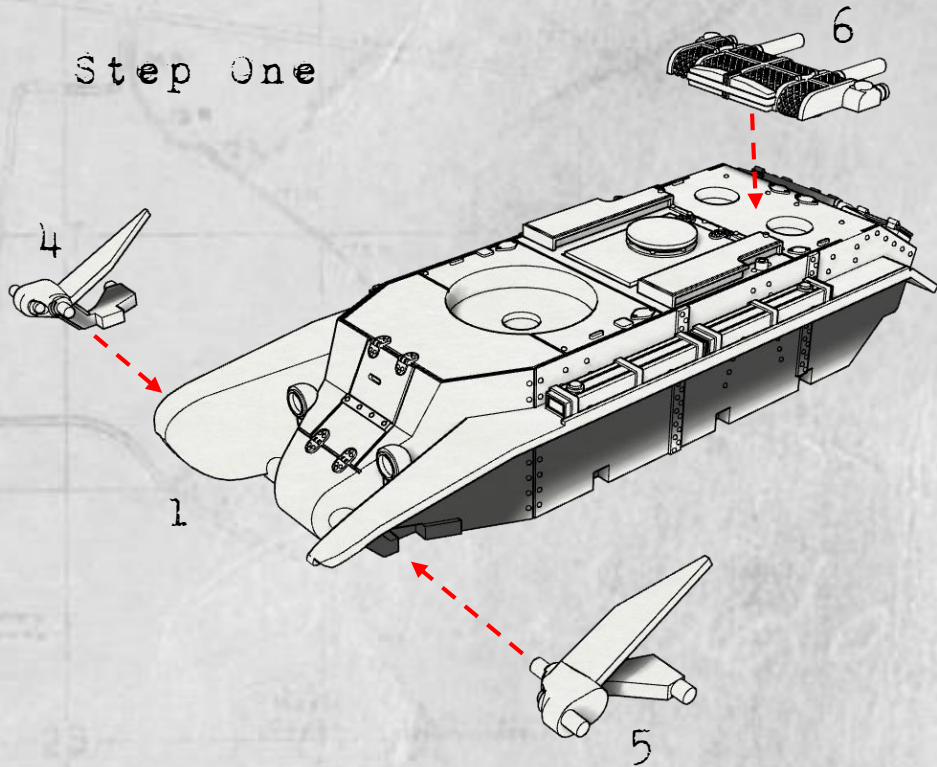
© 2015 Trenchworx

Trench Worx



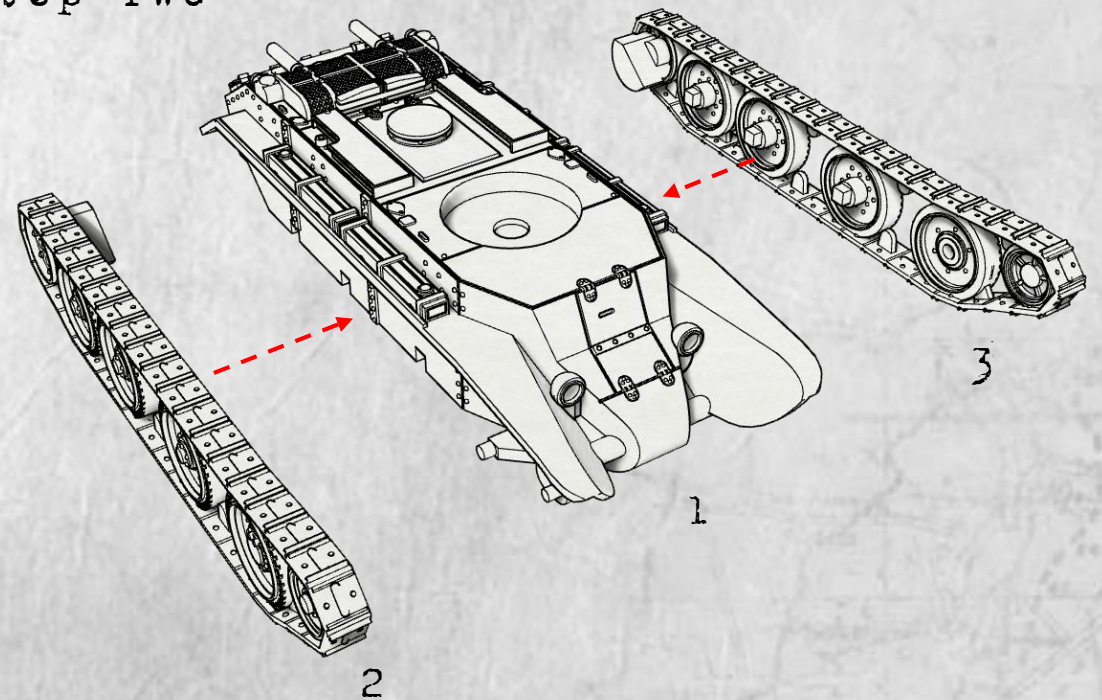
Trench Worx

Step One



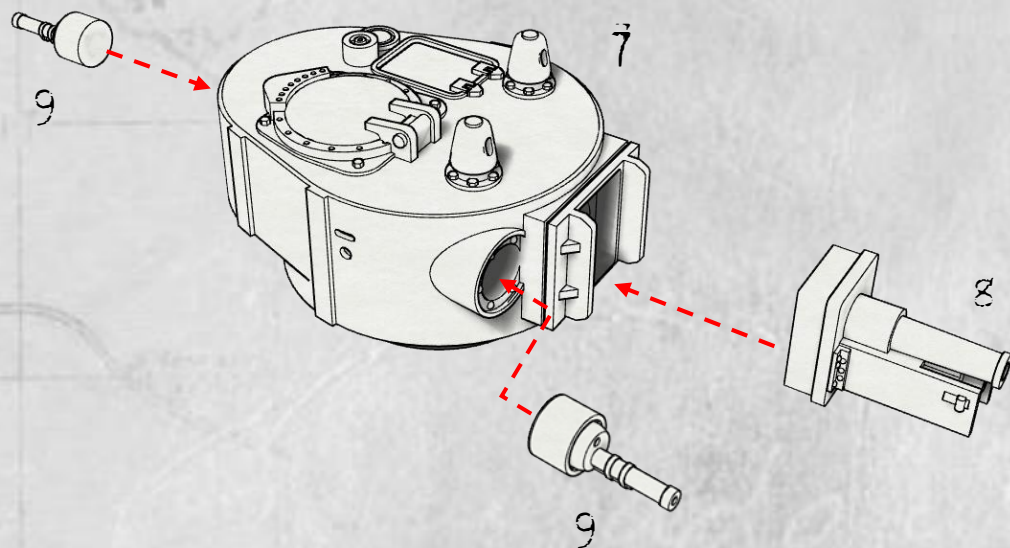
We recommend you sand the connecting points before gluing the parts in place. This will make for a stronger bond.

Step Two

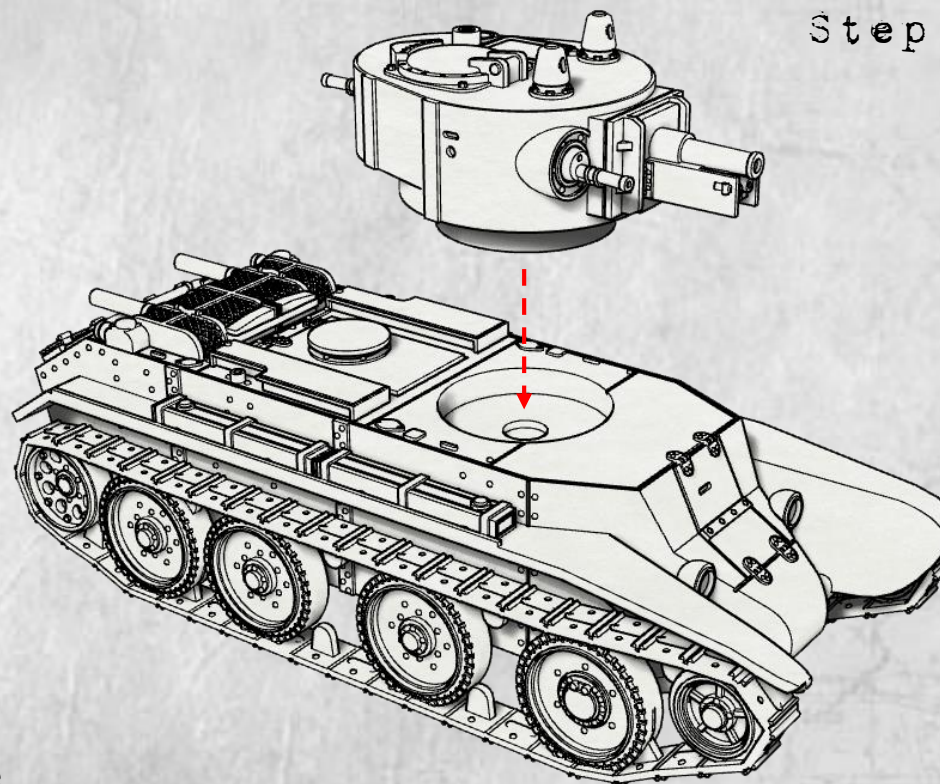


Trench Work

Step Three



Step Four



Glue one of the large magnets to the underside of the turret and the other inside the body in the slot. Make sure the polarity of the magnets match.